

DISPLAY / CONSOLE COMPONENTS
SEE PAGE 7

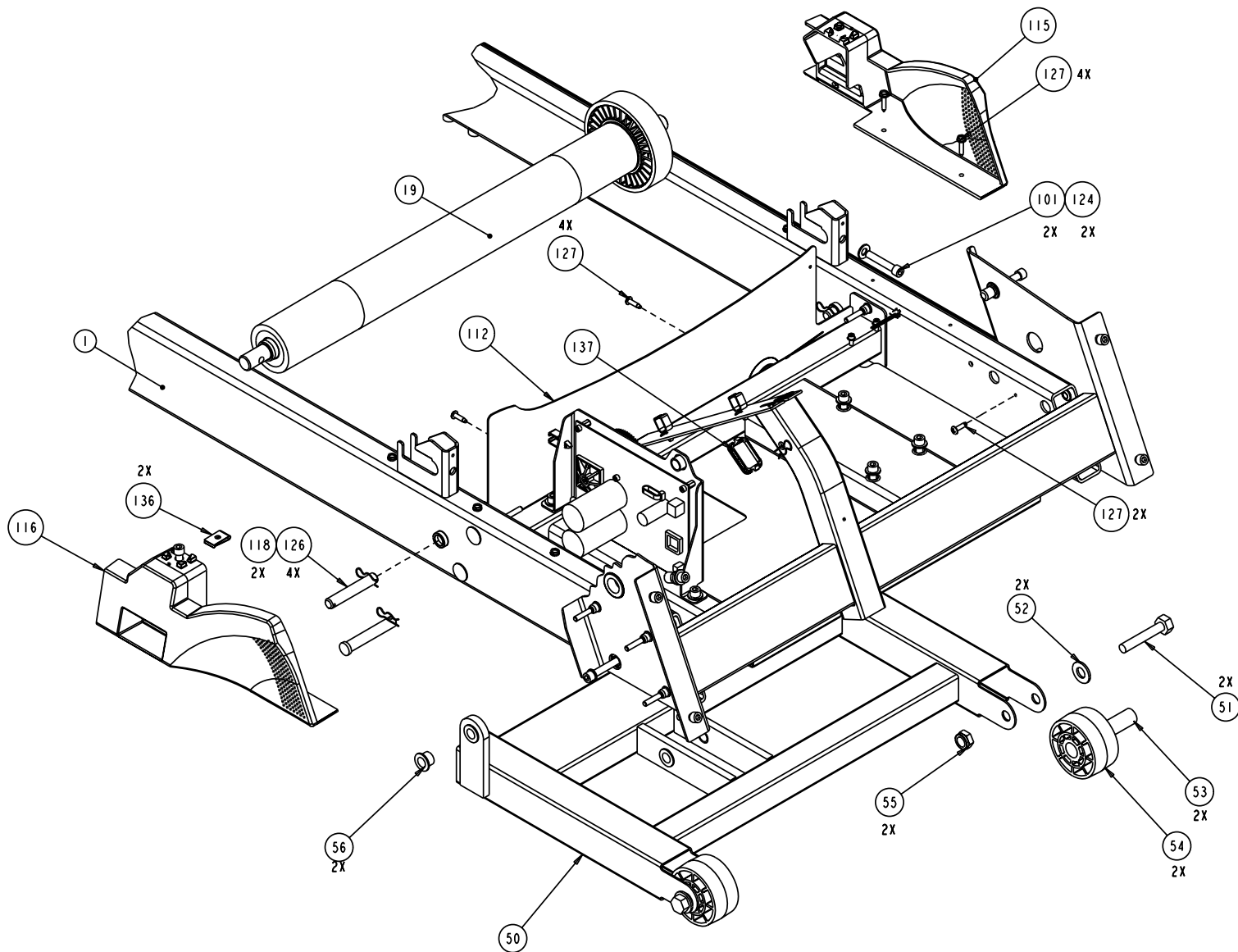
LOWER TREADMILL COMPONENTS
SEE PAGES 2 THRU 6

TARGAS AND HANDRAILS
SEE PAGE 8

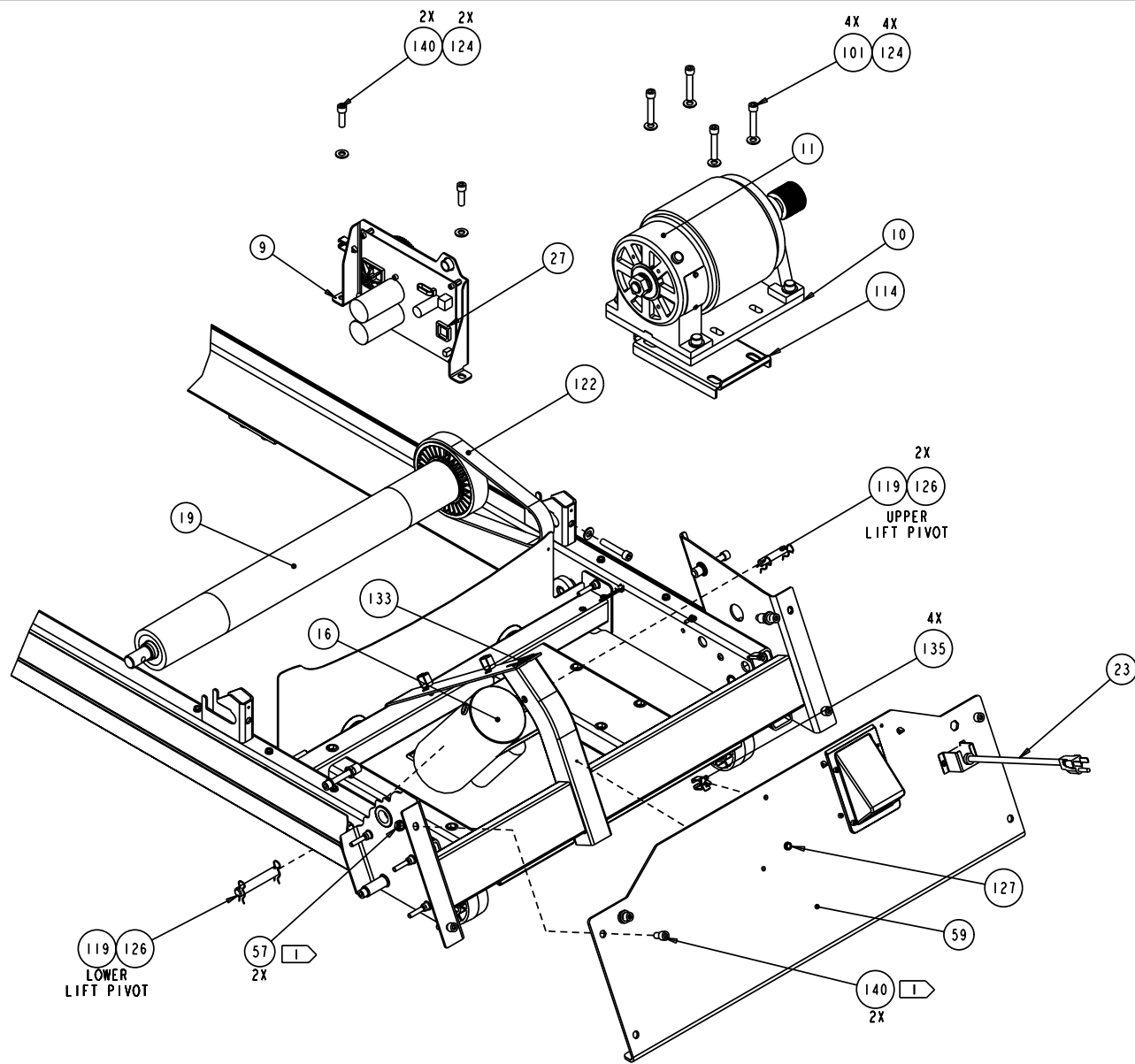
NOTES:

 FOR SHIPPING ONLY.

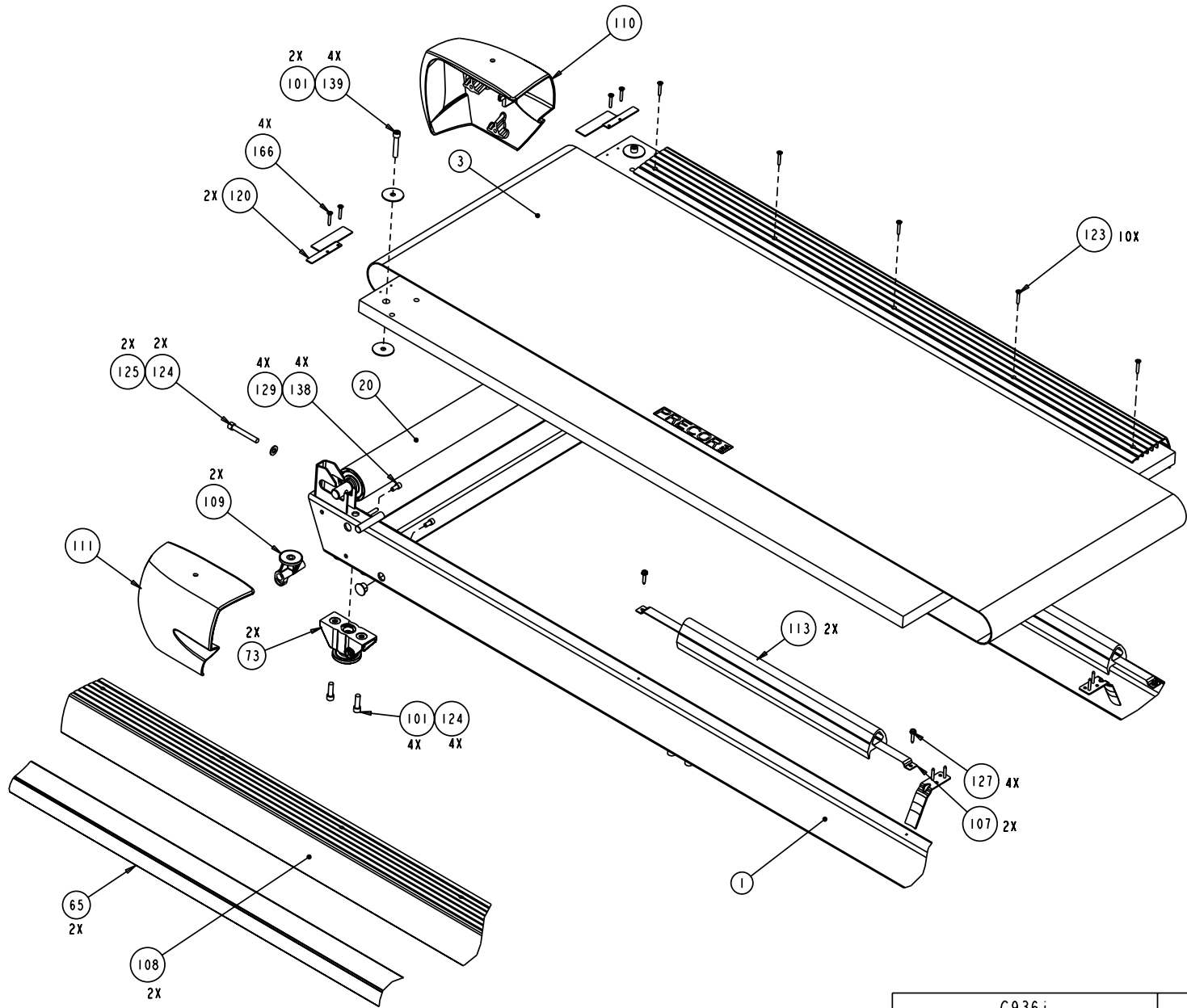
| | | |
|----------------------|----------------|--------------|
| C936i | P/N 48121-101 | REV: E |
| DRAWN BY: GRANADOSIN | DATE: 11.23.05 | SHEET 1 OF 8 |



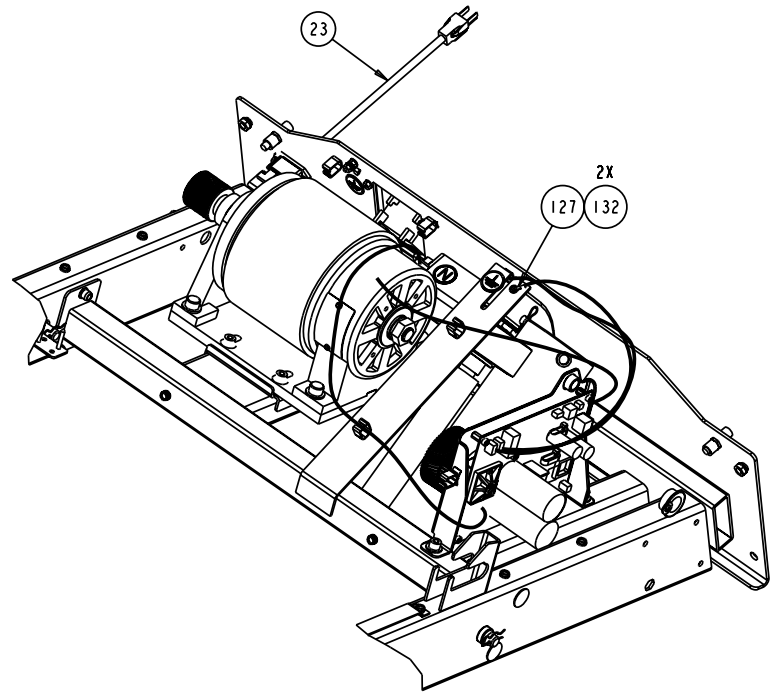
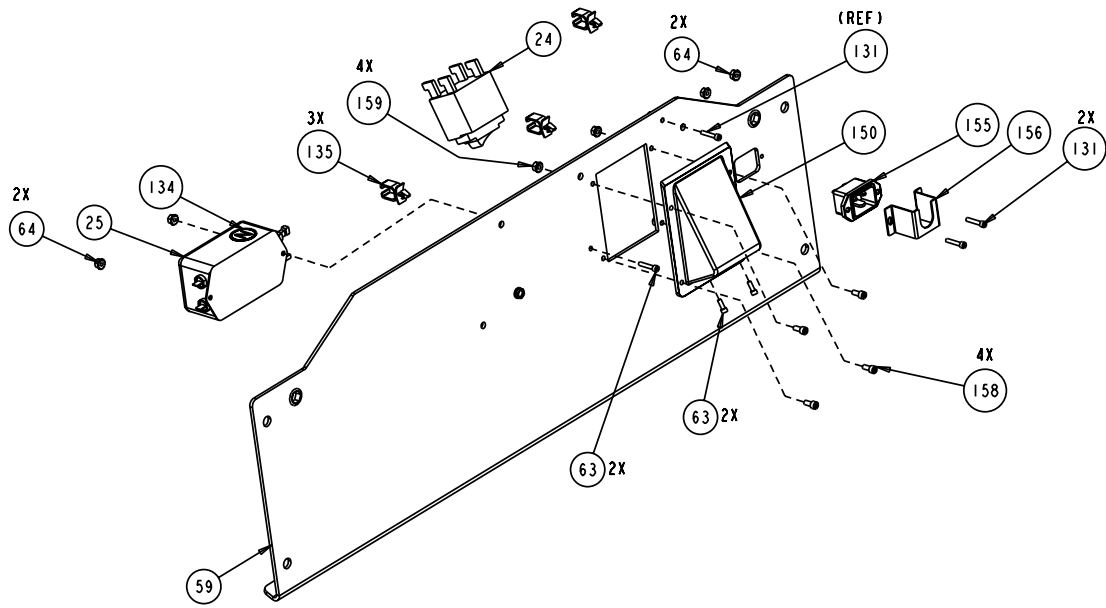
| | | |
|-----------------------|----------------|--------------|
| C936 i | P/N 48121-101 | REV: E |
| DRAWN BY: GRANADOS IN | DATE: 11.23.05 | SHEET 2 OF 8 |



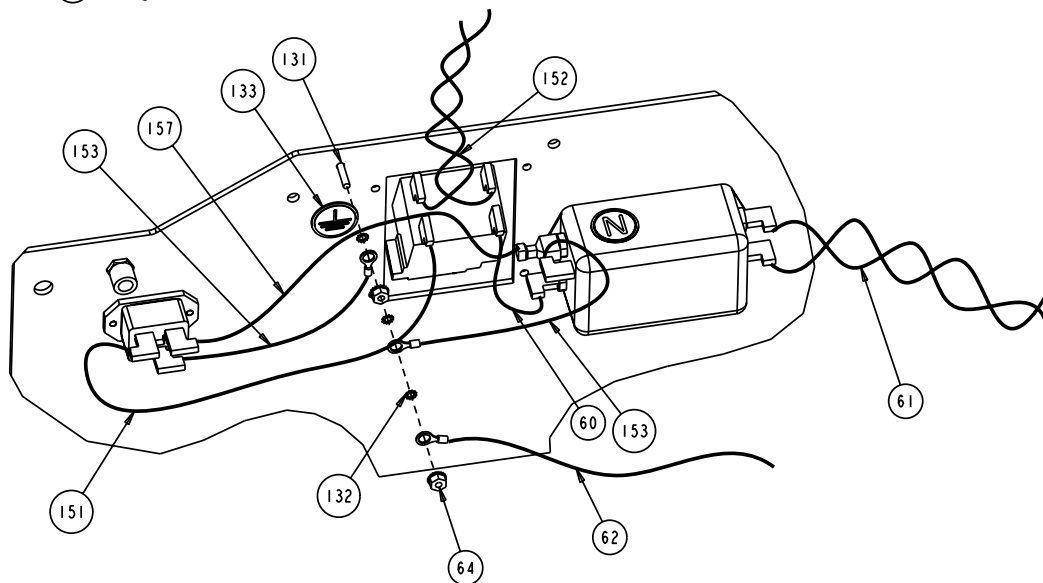
| | | |
|-----------------------|----------------|--------------|
| C936 i | P/N 48121-101 | REV: E |
| DRAWN BY: GRANADOS IN | DATE: 11.23.05 | SHEET 3 OF 8 |



| | | |
|----------------------|----------------|--------------|
| C936 i | P/N 48121-101 | REV: E |
| DRAWN BY: GRANADOSIN | DATE: 11.23.05 | SHEET 4 OF 8 |

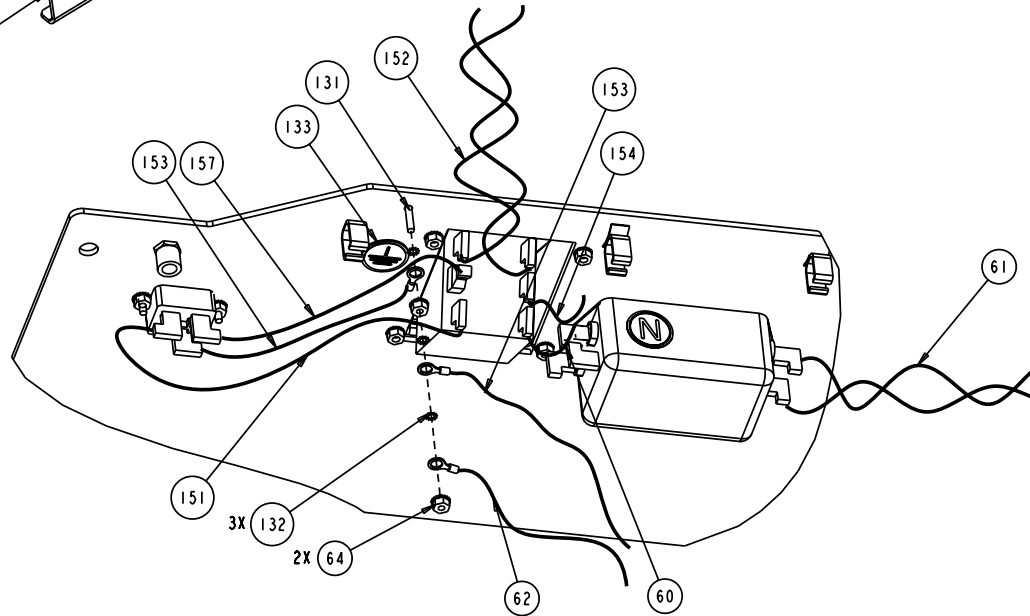
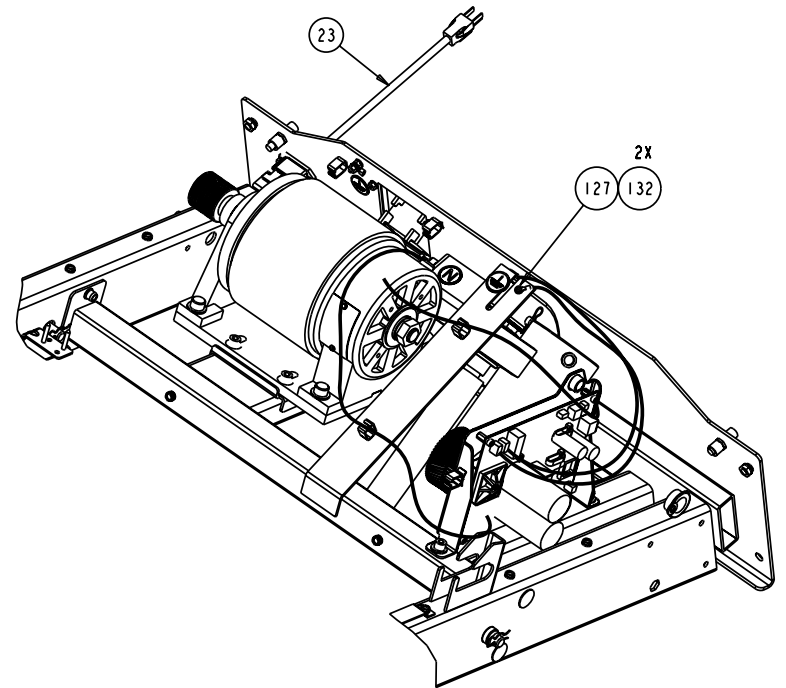
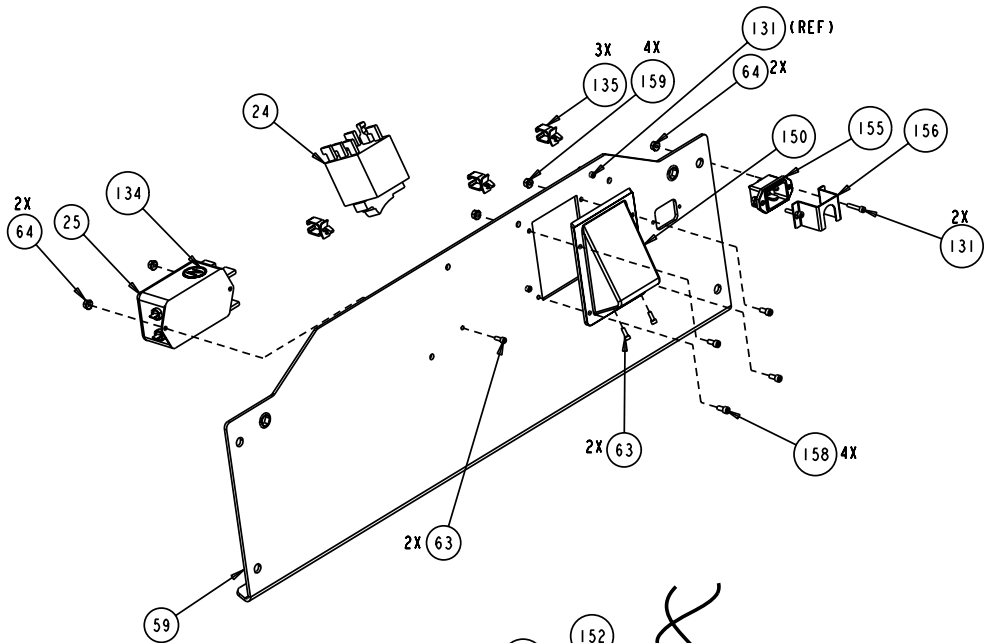


120 V



WIRING DETAIL
SOME DETAIL REMOVED FOR CLARITY

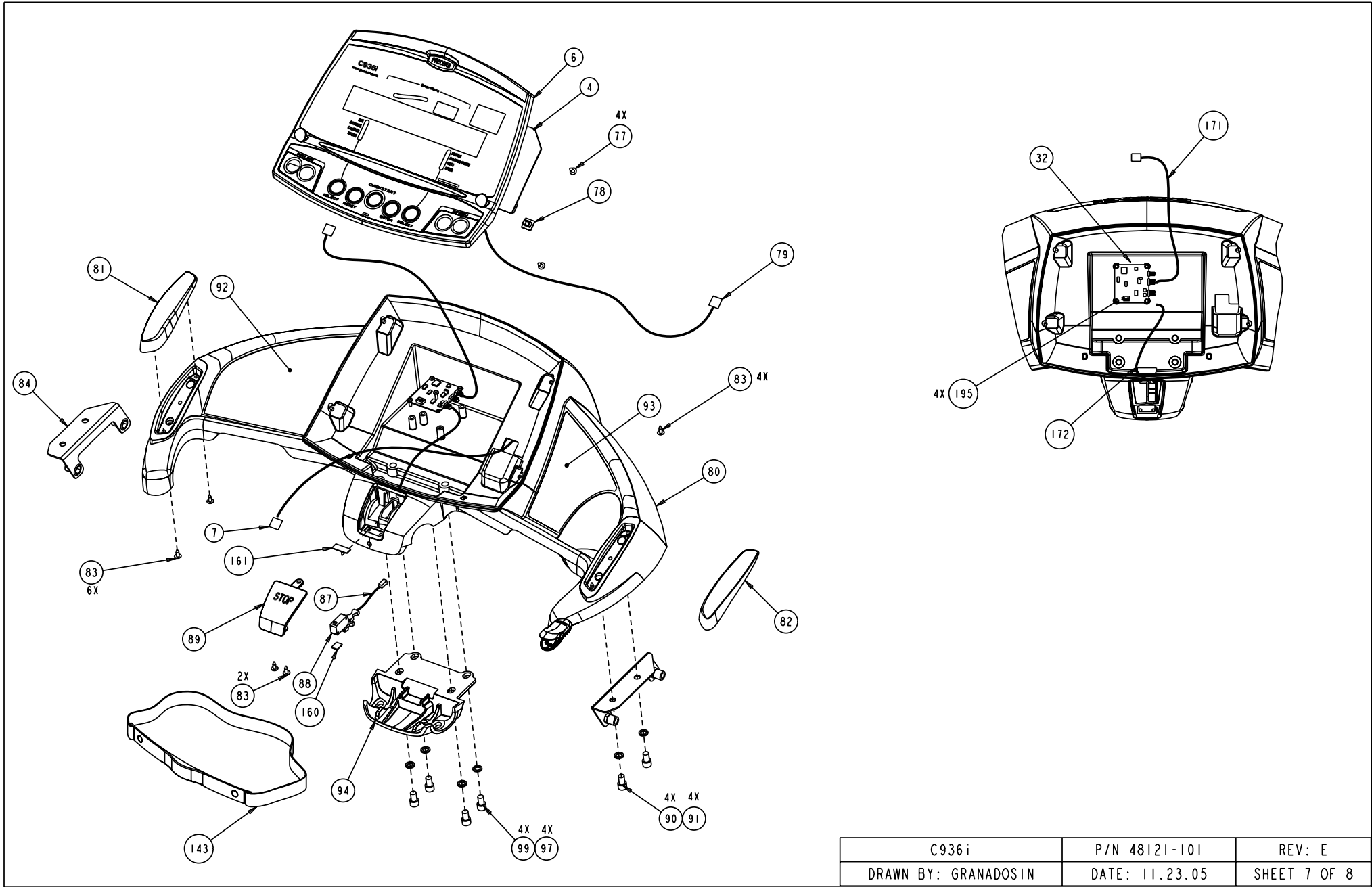
| | | |
|-----------------------|----------------|--------------|
| C936 i | P/N 48121-101 | REV: E |
| DRAWN BY: GRANADOS IN | DATE: 11.23.05 | SHEET 5 OF 8 |



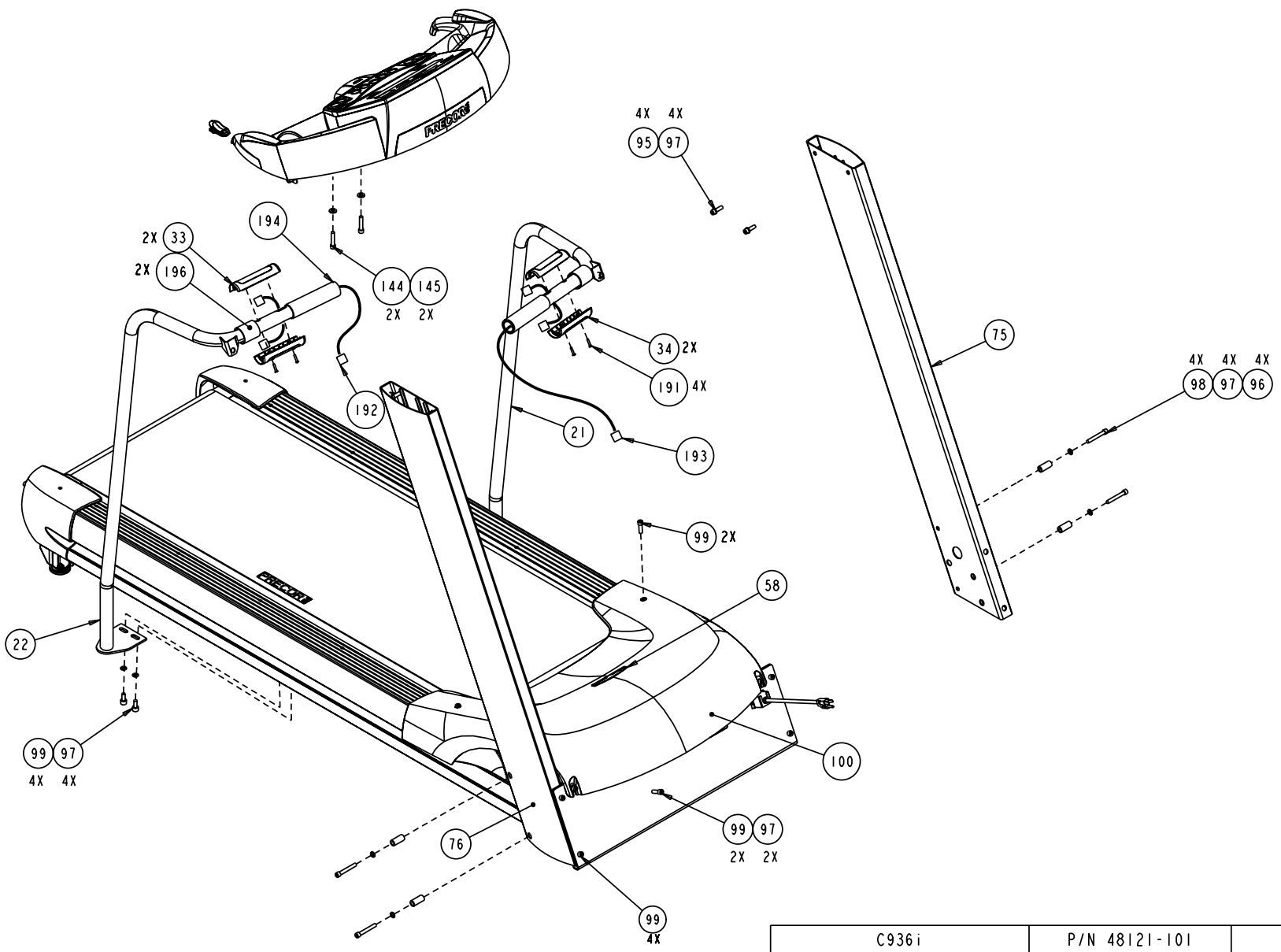
240 V

WIRING DETAIL
SOME DETAIL REMOVED FOR CLARITY

| | | |
|-----------------------|----------------|--------------|
| C936 i | P/N 48121-101 | REV: E |
| DRAWN BY: GRANADOS IN | DATE: 11.23.05 | SHEET 6 OF 8 |



| | | |
|----------------------|----------------|--------------|
| C936i | P/N 48121-101 | REV: E |
| DRAWN BY: GRANADOSIN | DATE: 11.23.05 | SHEET 7 OF 8 |



| | | |
|-----------------------|----------------|--------------|
| C936 i | P/N 48121-101 | REV: E |
| DRAWN BY: GRANADOS IN | DATE: 11.23.05 | SHEET 8 OF 8 |

C936i (120 VAC)(serial code AA25, AMPM)

| Part Number | Description | Bubble Number |
|--------------------|-------------------------------------|----------------------|
| 59093-101 | DECK WITH SHIPPER KIT | 2 |
| 36355-122 | RUNNING BELT, SIEGLING, 120 X 20 W/ | 3 |
| 45860-207 | ASSY, UPPER PCA & SW, C936I-T3 | 4 |
| 48057-111 | ASSY, T3 DISPLAY, TOUCHSENSOR, C936 | 6 |
| 44905-084 | ASSY,CBL,MOD,8P8C,1-1,84" | 7 |
| 45861-104 | ASSY, LOWER ELECTRONICS, C934-T3/TD | 9 |
| 59070-102 | KIT, ASSY, DRIVE MOTOR,240V, CHI-HU | 10 |
| 20108-101 | ASSY, SPEED SENSOR, CHI-HUA MOTOR | 11 |
| 44064-103 | LIFT ACTUATOR, 120V | 16 |
| 47101-101 | ASSEMBLY, DRIVE ROLLER, STEEL | 19 |
| 47102-101 | ASSEMBLY, TAKE-UP ROLLER, STEEL | 20 |
| 46991-105 | WELDMENT, HANDRAIL, LEFT, PAINTED | 21 |
| 46991-106 | WELDMENT, HANDRAIL, RIGHT, PAINTED | 22 |
| 45657-144 | PWR CORD,125VAC,15A,NEMA 5-15RA/IEC | 23 |
| 10435-101 | CKT BRKR,250V,MAGNETIC,ROCKER, | 24 |
| 11224-102 | FILTER,PWR LINE,250VAC,16A | 25 |
| 44569-301 | IC,CPU,PGMD,9.3X,LWR,T2/T3/ TD,V3.0 | 27 |
| 44569-302 | IC, CPU, PGMD, 9.3X, LOWER, V3.02, | 27 |
| 43579-106 | BOARD, CHR & WIRELESS/CONTACT PRIOR | 32 |
| 42713-102 | HHR SENSOR, TOP | 33 |
| 42714-102 | HHR SENSOR, BOTTOM | 34 |
| 45904-101 | LIFT PLATFORM, W/BUSHINGS, 9.3X, C9 | 50 |
| HCKN050-250 | SCREW,HEX,GR 5,1/2-13X2-1/2,BLK ZN | 51 |
| WBCN050-010 | WASHER, FLT, 1/2, ID=.531, | 52 |
| 36192-101 | BUSHING, SPANNER | 53 |
| 44270-101 | WHEEL, LIFT | 54 |
| KACN050-019 | LOCKNUT,HALF,1/2-13,ZN | 55 |
| 10043-113 | BEARING,FLANGE,OD=.62 ID=.5 | 56 |
| KMCN031-023 | NUT, HEX, 5/16-18, ZINC | 57 |
| 47970-101 | LABEL, GROUND EFFECTS, STONE GRAY | 58 |
| 45667-101 | 9.3X, C936I FACEPLATE W/RIVNUTS | 59 |
| 45667-102 | 9.3X, C936I FACEPLATE W/RIVNUTS, ST | 59 |
| 44528-006 | ASSY,CBL,1 COND,14AWG,QK DISC,6",BR | 60 |
| 45268-030 | ASSY,CBL,2COND,14AWG,QK DISC FLAG,3 | 61 |
| 45268-030 | ASSY,CBL,2COND,14AWG,QK DISC FLAG,3 | 61.01 |
| 45296-030 | ASSY,CBL 2COND,14AWG,QK DISC 2FLAG- | 61.02 |
| 45145-016 | ASSY.CBL,14AWG,RING/RING,GRN/YEL,16 | 62 |
| CCNN013-038 | SCREW, SKHD,6-32X3/8,SS,LK | 63 |
| KGCN013-011 | LOCKNUT, STARWASHER 6-32, #6 | 64 |
| 44083-102 | COVER, SIDERAIL | 65 |
| 44019-105 | ASSEMBLY, REAR FOOT, M9.3X | 73 |
| 44017-101 | ASSEMBLY, TARGA, LEFT | 75 |
| 44017-102 | ASSEMBLY, TARGA, RIGHT | 76 |
| MGCN016-038 | SCREW,MCH,8-32X3/8,PANHD,PHIL, | 77 |
| 12264-101 | RJ-45 TELEPHONE JACK PLUG | 78 |
| 45696-032 | ASSY,CBL,FFC,12COND,28AWG,3.2" | 79 |
| 44065-103 | DASH, STONE GREY | 80 |
| 44105-103 | HAND GRIP, CONSOLE, LEFT, STONE GRA | 81 |
| 44105-104 | HAND GRIP, CONSOLE, RIGHT, STONE GR | 82 |

| | | |
|--------------|-------------------------------------|--------|
| PGKN016-050 | SCREW,S/T,#8X1/2,TRS,PHIL,BLK | 83 |
| 44026-103 | ASSY, MOUNTING BRACKET, LEFT, STONE | 84 |
| 44026-104 | ASSY, MOUNTING BRACKET, RIGHT, STON | 85 |
| 44021-102 | CLIP ASSEMBLY | 86 |
| 45283-011 | ASSY,CBL,UPPER SAFETY SWITCH,11" | 87 |
| 12259-102 | SWITCH,MICRO,PLUNGER,SPNC | 88 |
| 44086-102 | STOP BUTTON | 89 |
| CAKN031-050 | SCREW,SKHD,5/16-18X0.50,BLK ZN,LK | 90 |
| WBKN031-007 | WASHER, FLT, 5/16, ID=.344, | 91 |
| 47963-121 | LABEL, DASH, LEFT, C936I, ENG, STON | 92 |
| 47964-111 | LABEL, DASH, RIGHT, C936I, ENG, STO | 93 |
| 44112-103 | BRACKET, HANDRAIL CLAMP, STONE GRAY | 94 |
| CCNE031-100 | SCREW,SKHD,5/16-18X1.00,SS,LK | 95 |
| 44060-102 | SPACER, TARGA BOLT, 1.360L | 96 |
| WPNN033-005 | WASHER,FLT,5/16X.562X..060,AN960C | 97 |
| CCNN031-225 | SCREW,SKHD,5/16-18X2.5,BLK ZN,LK | 98 |
| CCNE031-075 | SCREW,SKHD,5/16-18X.75,SS,LK | 99 |
| 45451-102 | ASSEMBLY, HOOD W/ WIRING DIAGRAM, S | 100 |
| CAKN031-175 | SCREW,SKHD,5/16-18X1.75,BLK ZN,LK | 101 |
| 44074-103 | STRAP, GFX TIE DOWN | 107 |
| 44082-104 | TRIM, BED, STONE GRAY | 108 |
| 44071-104 | BRACKET, DECK MOUNT | 109 |
| 46882-103 | ASSY, ENDCAP, LEFT, PT, STONE GRAY | 110 |
| 46882-104 | ASSY, ENDCAP, RIGHT, PT, STONE GRAY | 111 |
| 44089-102 | ENCLOSURE, LOWER | 112 |
| 44092-102 | CUSHION, GFX | 113 |
| 44097-102 | PLATE, MOTOR | 114 |
| 44102-107 | VENT, HOOD, LEFT, STONE GRAY | 115 |
| 44102-108 | VENT, HOOD, RIGHT, STONE GRAY | 116 |
| 44109-103 | PIN, LIFT PIVOT, 3.38 | 118 |
| 44109-102 | PIN, LIFT PIVOT, 2.00 | 119 |
| 46941-101 | 93X ROLLER BRIDGE, LEFT, PT | 120 |
| 46941-102 | 93X ROLLER BRIDGE, RIGHT, PT | 120.01 |
| 44117-103 | COVER, LOWER ENCLOSURE | 121 |
| 10217-132 | BELT, DRIVE, 280J10 POLY V, TEM | 122 |
| DCKN019-100 | SCREW,WOOD #10X1, L=1.00 | 123 |
| WBCN031-007 | WASHER,FLT,5/16X.688X.065, ZN | 124 |
| CAKN031-225 | SCREW,SKHD,5/16-18X2.25,BLK ZN,LK | 125 |
| 10400-103 | PIN, HITCH, .093 DIA, SILVER CAD, # | 126 |
| PKCN019-075 | SCREW,S/T,#10X.75,WSHHXHD,ZN | 127 |
| 10178-107 | BUSHING, SNAP | 128 |
| CAKN025-050 | SCREW,SKHD,1/4-20X0.50,BLK ZN,LK | 129 |
| CCNN013-075 | SCREW,SKHD,6-32X.75L,SS | 131 |
| WAMCN019-002 | WASHER, LOCK, EXT TOOTH, #10 | 132 |
| 37436-101 | LABEL, CHASIS NEUTRAL | 134 |
| 11278-101 | CABLE CLAMP,INSERT | 135 |
| 10136-107 | NUT RETAINER,TINNERMAN, 5/16-18 | 136 |
| 45784-101 | GROMMET, LIFT MOTOR MOUNT, 9.3X | 137 |
| WALCN025-006 | WASHER, SPLIT LOCK, 1/4 MED, | 138 |
| WABCN031-006 | WASHER, FEN, 5/16, ID=.331, | 139 |
| CAKN031-100 | SCREW,SKHD,5/16-18X1,BLK ZN,LK | 140 |

| | | |
|-------------|-------------------------------------|-----|
| CCNN031-125 | SCREW, SKHD, 5/16-18 X 1.25, SS | 144 |
| WBCN031-007 | WASHER,FLT,5/16X.688X.065, ZN | 145 |
| WBKN031-007 | WASHER, FLT, 5/16, ID=.344, | 145 |
| 44118-102 | BRACKET, POWER BOX | 150 |
| 44528-010 | ASSY,CBL,1 COND,14AWG,QK DISC,10",B | 151 |
| 44532-036 | ASSY,CBL,2 COND,22AWG,MOLEX,36" | 152 |
| 44534-008 | ASSY,CBL,1COND,14AWG,QK DISC,8" | 153 |
| 45381-101 | IEC 16/20A POWER CORD INLET | 155 |
| 47027-102 | POWER CORD CLAMP, SHORT. | 156 |
| 45383-012 | ASSY,CBL,1 COND,14AWG,QK DISC,FLAG, | 157 |
| CAKE016-038 | SCREW,SKHD, #8-32 X 3/8,BLK ZN,LK | 158 |
| KGCN016-013 | LOCKNUT, STARWASHER 8-32, HEX | 159 |
| 44170-101 | VHB, SPACER, SHORT | 160 |
| 44171-101 | VHB, SPACER, LONG | 161 |
| 42452-102 | BELT TRACKER | 167 |
| HCCN031-125 | SCREW,HEX,GR 5,5/16-18X1.25,ZN | 168 |
| 12262-102 | WIRE CLIP,FOAM TAPE BACK | 170 |
| 44954-013 | ASSY,CBL,HHR TO DISPLAY,13" | 171 |
| 47107-012 | ASSY,CABLE,HHR INTERFACE,W/SHIELD, | 172 |
| TCNN016-075 | SCREW, BTHD, 8-32X.75,SS | 191 |
| 47109-012 | ASSY,CABLE,HHR RIGHT GRIP,W/SHIELD | 192 |
| 47108-012 | ASSY,CABLE,HHR LEFT GRIP,W/SHIELD, | 193 |
| 47011-102 | GRIP, DIP MOLD, PLASTISOL, 5.7 LG W | 194 |
| MGCN013-038 | SCREW,MCH,6-32X3/8,PANHD,PHIL, | 195 |
| 38048-117 | GRIP,DIP MOLD,PLASTISOL, 1.850 LG | 196 |
| 44135-103 | HARDWARE KIT, 9.3X | 200 |
| 20002-112 | BRUSH, MOTOR (PAC SCI YP00521) | 202 |
| 10186-111 | WRENCH, ALLEN, 1/4, 3 X 10 | 204 |
| 11075-020 | FUSE,200MA,250VAC,SLOW,RADIAL | 205 |
| 11075-102 | FUSE,1.00A,250VAC,SLOW,RADIAL | 206 |
| 11075-105 | FUSE,2.00A,250VAC,SLOW,RADIAL | 207 |
| 44165-105 | LABEL, WIRING DIAGRAM | 209 |
| 20002-113 | BRUSH W/ LEAD, CHI HUA 93 SERIES DC | 235 |
| 20002-117 | GROUND BRUSH, CHI HUA 93 SERIES DC | 236 |
| 59061-101 | 9.3X POWER CORD CLAMP KIT | 290 |
| 44465-004 | ASSY,CLB,1C,,14 AWG,QK DISC,BLK, 4" | 299 |
| 11277-111 | RIVNUT, INSERT, LG DIA,5/16X18 | 900 |
| 44132-111 | LITERATURE KIT, C936I | 999 |